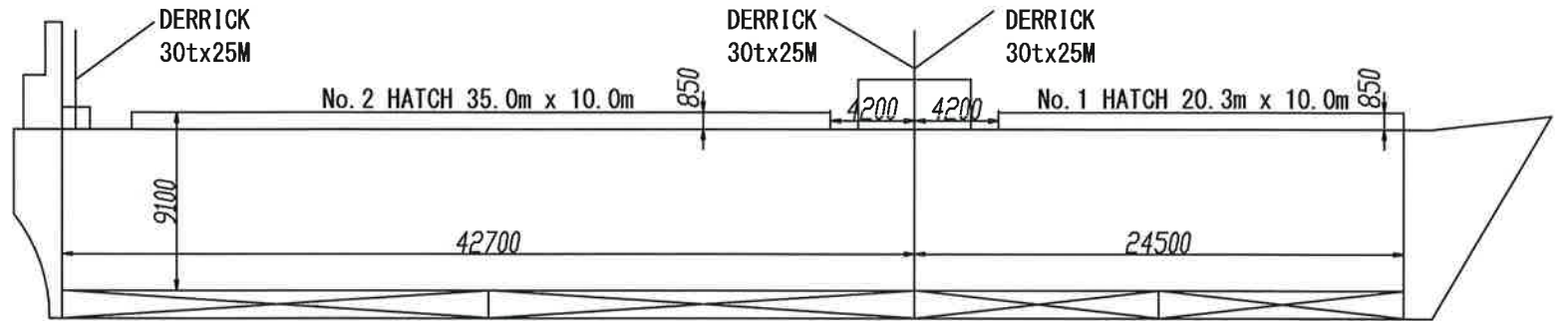


MV. HARUKAZE



PRINCIPAL PARTICULAR	
LOA	99.934M
Lpp	94.000M
B(mid)	19.00M
D(mid)UPP	9.50M
DRAFT	8.665M
G/T	4,764T
N/T	2,856T
D/W	7,568.10T
G. CAPA	9,959.44M3
B. CAPA	9,529.58M3

