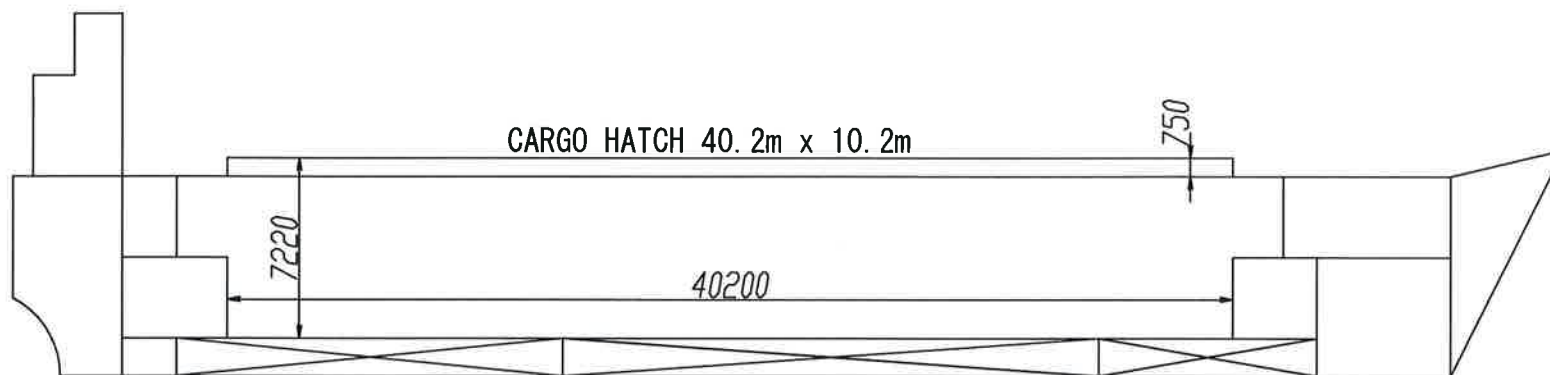
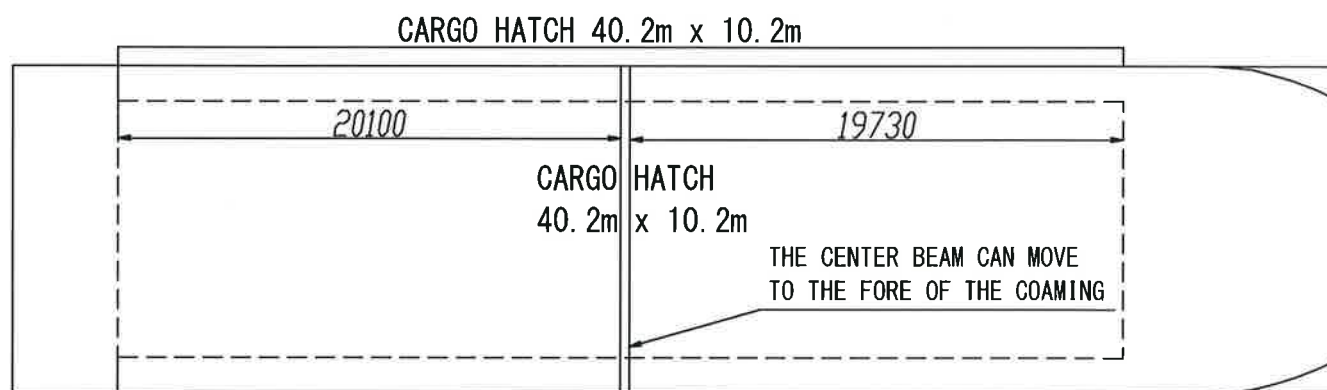


MV. MARA LAKE



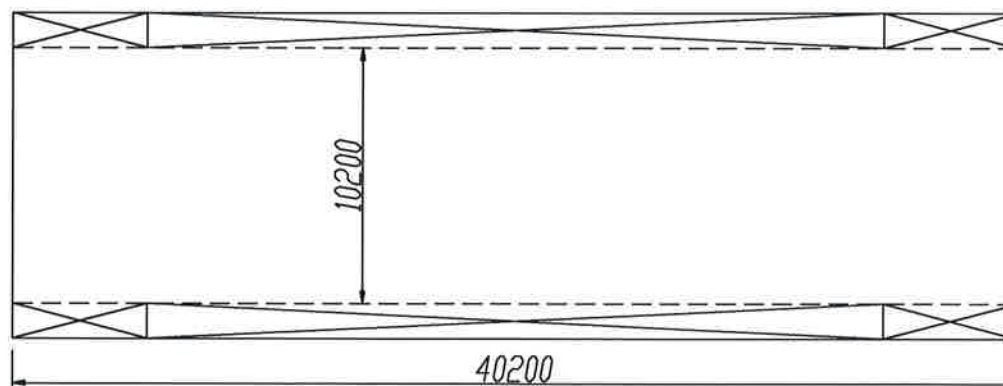
FRAME SPACE : 670MM

PRINCIPAL PARTICULAR	
LOA	79.95M
B(mid)	13.00M
D(mid)UPP	7.97M
DRAFT	5.60M
G/T	1,990T
N/T	977T
D/W	2,992T
G. CAPA	3,450M3
B. CAPA	3,350M3



UPPER DECK

BOTTOM



MID SECTION

