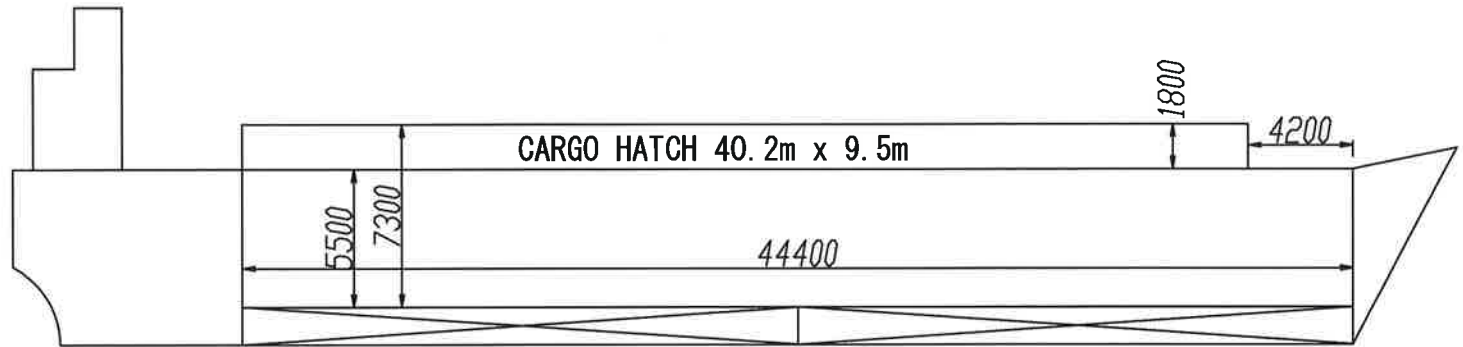


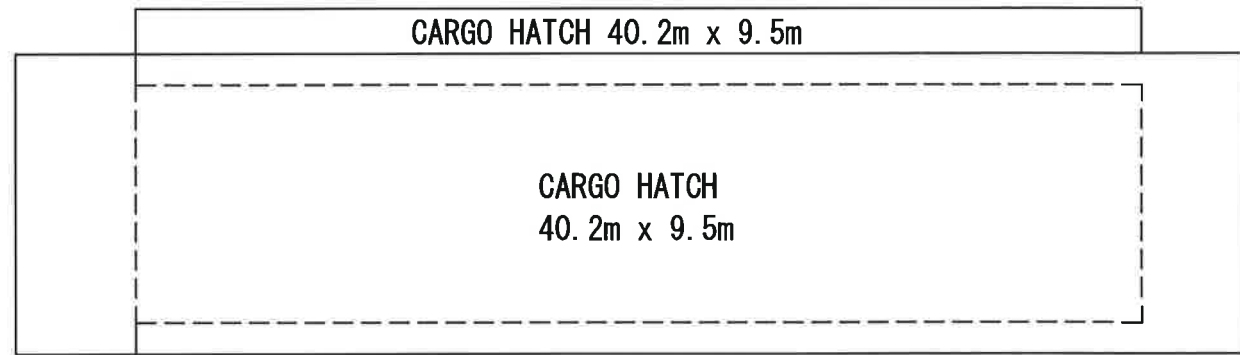
 **MV. SAGAMIKO**



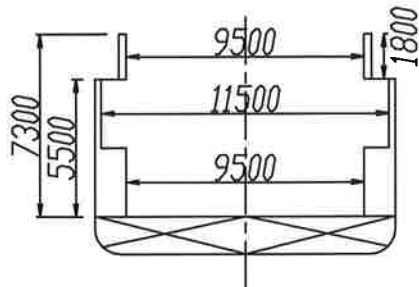
FRAME SPACE : 600MM

PRINCIPAL PARTICULAR	
LOA	75.42M
B(mid)	12.00M
D(mid)UPP	7.00M
DRAFT	4.80M
G/T	1,554T
N/T	870T
D/W	1,950T
G. CAPA	3,382.83M3
B. CAPA	3,282.00M3

UPPER DECK



MID SECTION



BOTTOM

