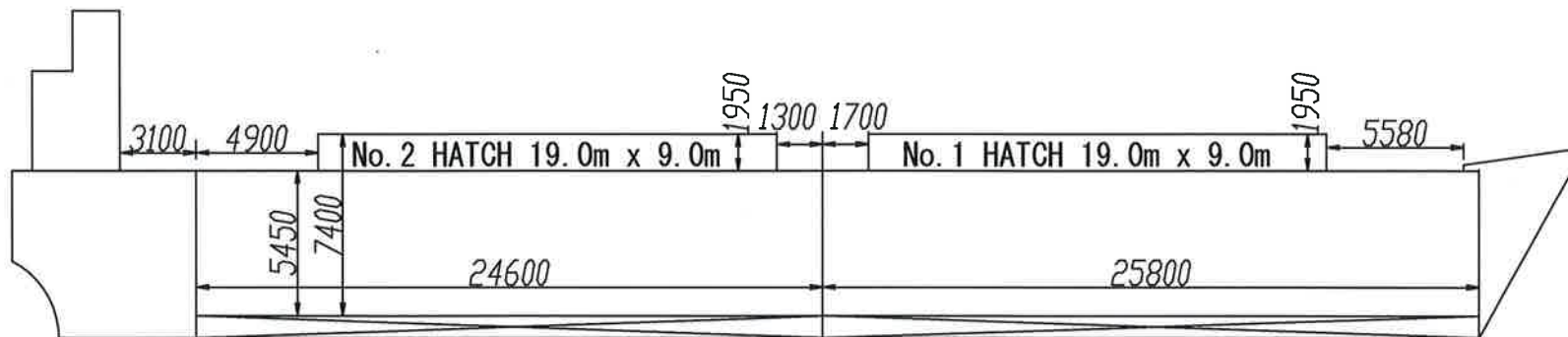


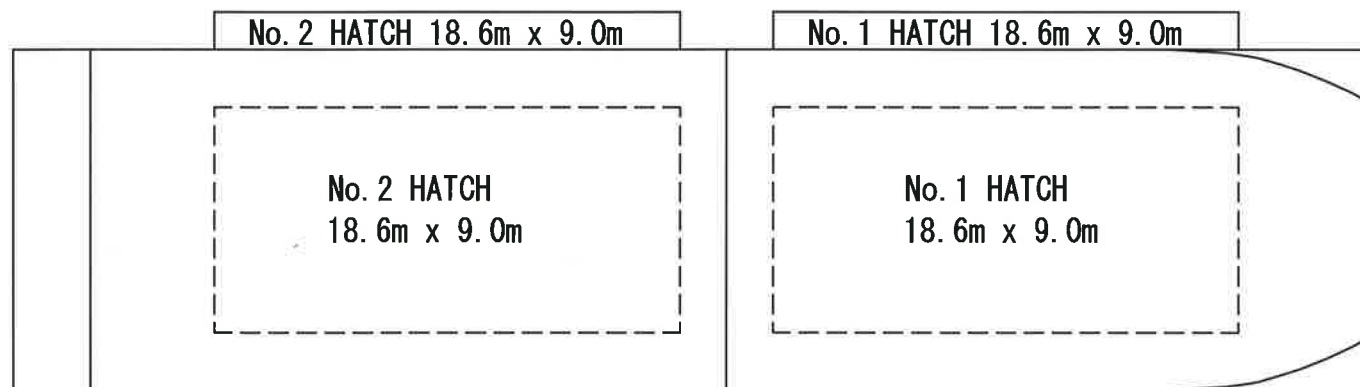


MV. SUWAKO

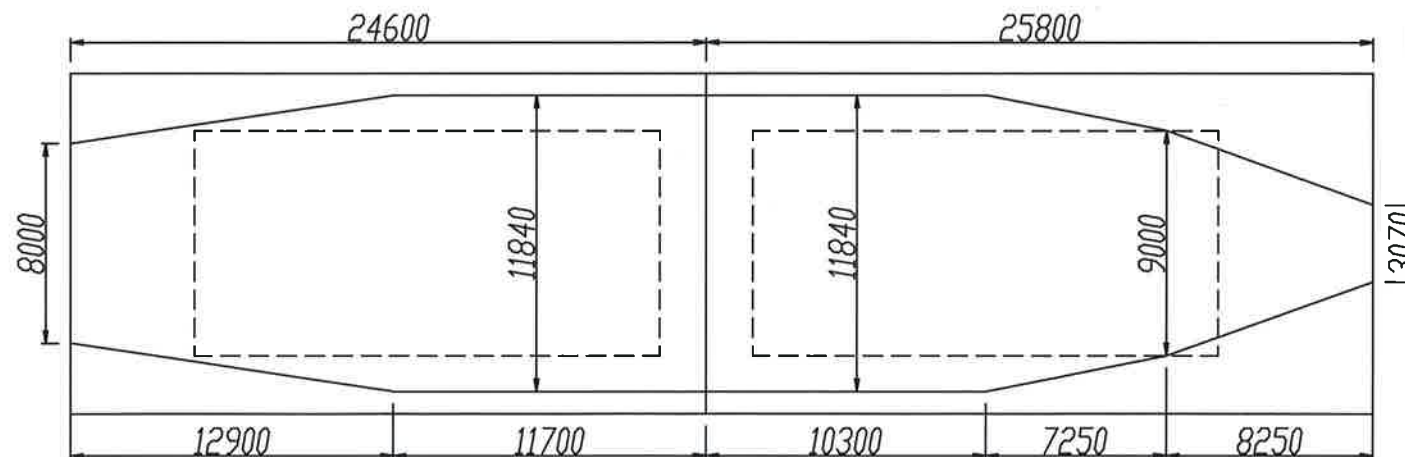


FRAME SPACE : 620MM

PRINCIPAL PARTICULAR	
LOA	81.00M
B(mid)	13.60M
D(mid)UPP	6.80M
DRAFT	5.50M
G/T	1,972T
N/T	1,395T
D/W	3,300T
G. CAPA	4,600M3
B. CAPA	4,468M3



UPPER DECK



BOTTOM