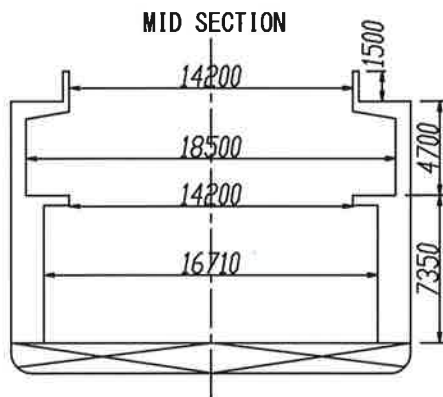
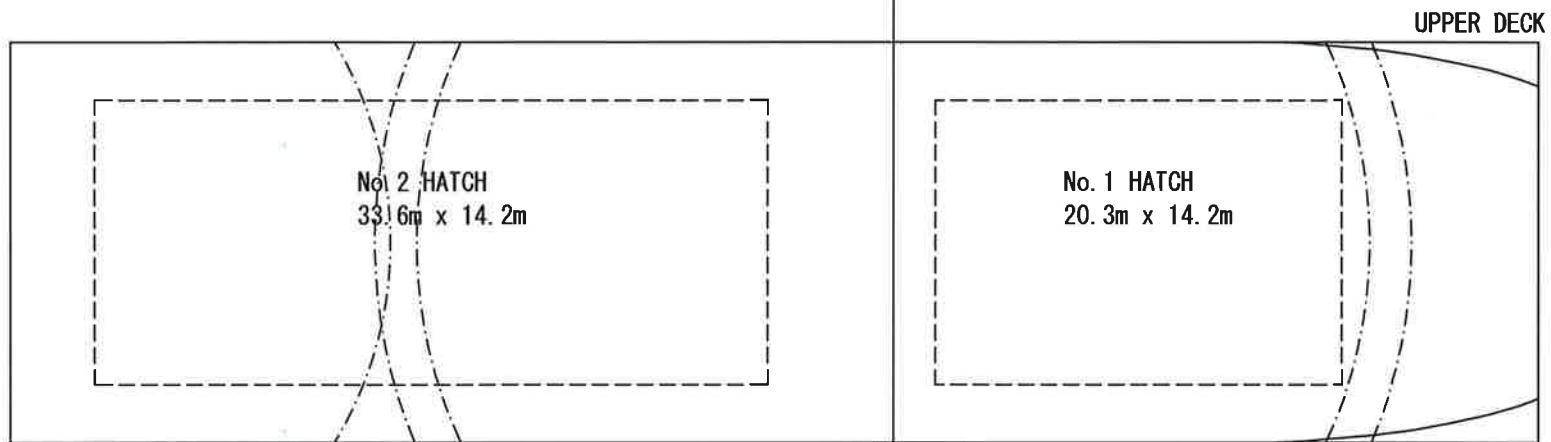
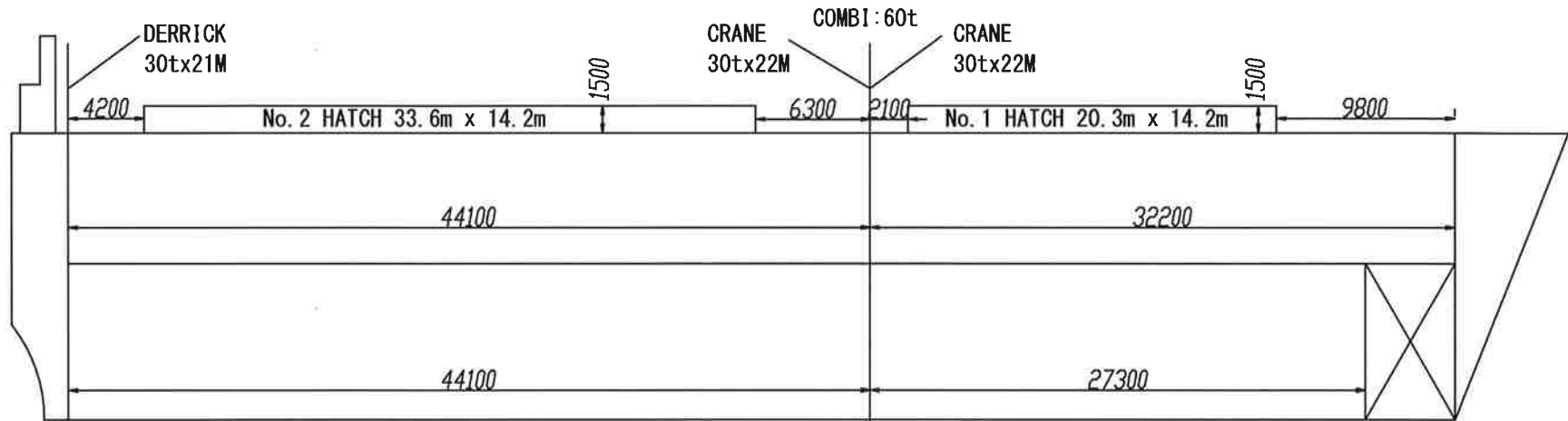


MV. TOYO EAGLE



TANK TOP : 13.00T/M2
 T/D : 3.5T/M2
 FRAME SPACE : 700MM
 TPC : 17.75T/CM

PRINCIPAL PARTICULAR	
LOA	108.50M
L _{pp}	100.00M
B(mid)	20.00M
D(mid)UPP	13.50M
D(mid)2ND	8.8M
DRAFT	8.00M
G/T	7.382T
N/T	2.910T
D/W	9.230T

 MV. TOYO EAGLE

