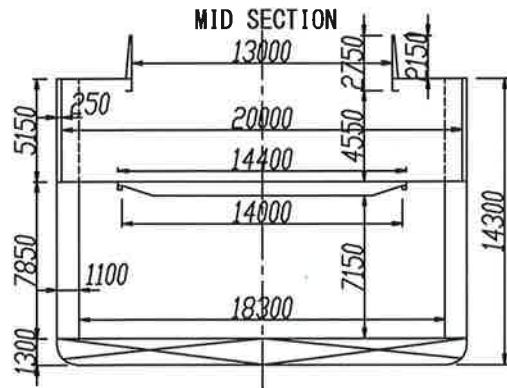
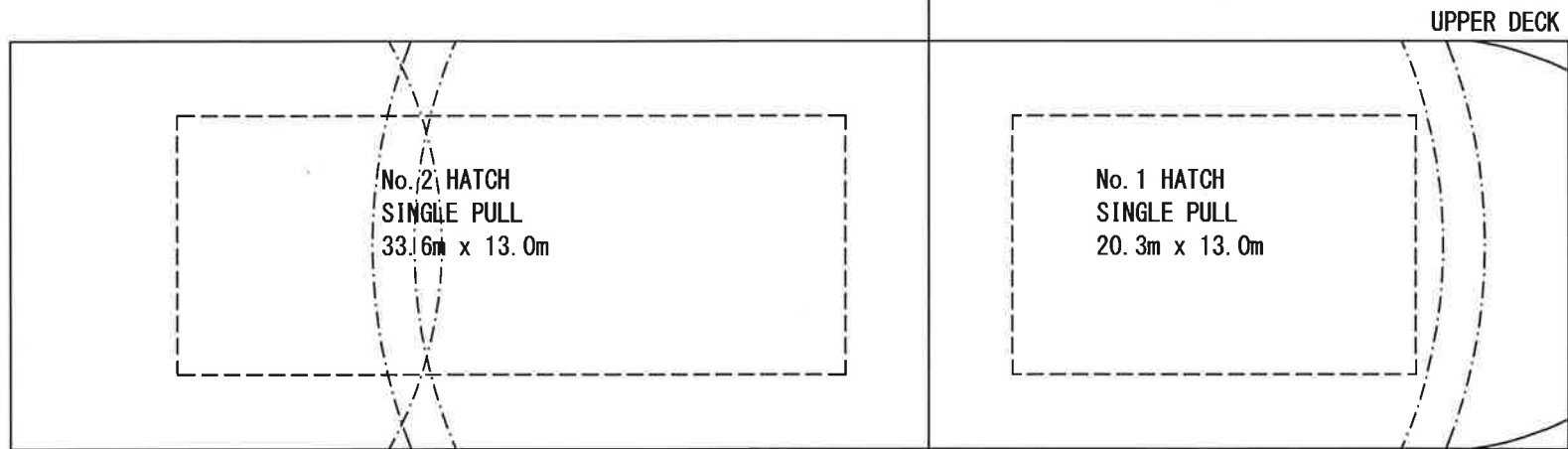
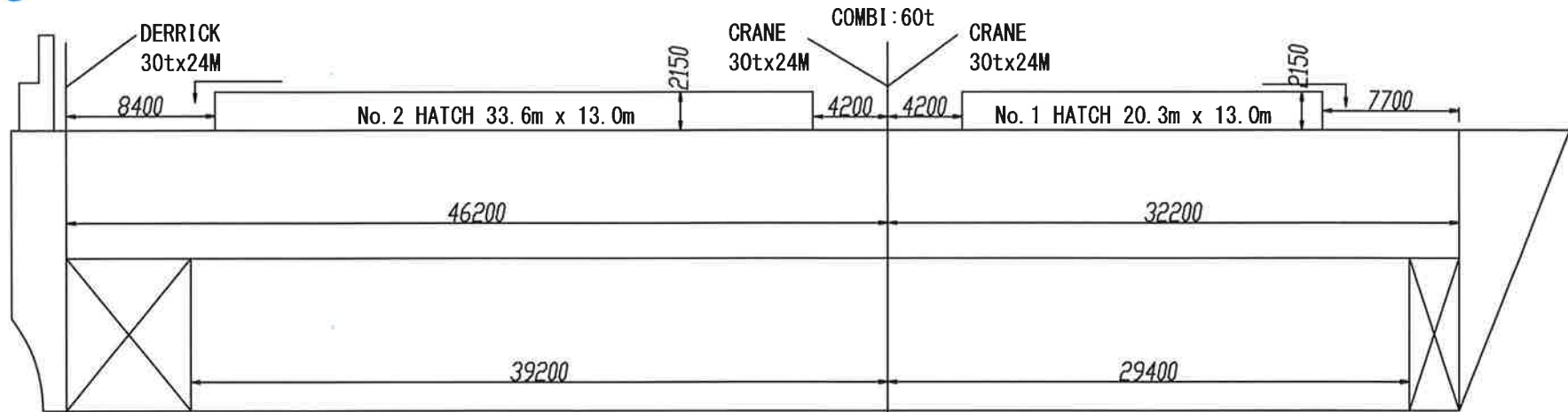


MV. TOYO PEARL



TANK TOP : 11.88T/M2
 T/D : 3.7T/M2
 H/C : 1.5T/M2
 UP DECK : 1.5T/M2
 FRAME SPACE : 700MM

TOYO PEARL

PRINCIPAL PARTICULAR	
LOA	111.97M
B(mid)	20.50M
D(mid)UPP	14.30M
D(mid)2ND	9.15M
DRAFT(SSW)	8.326M
G/T	8,739T
N/T	3,066T
D/W	10,810T
G. CAPA	18,338.84M3
B. CAPA	17,715.61M3

 **MV. TOYO PEARL**

