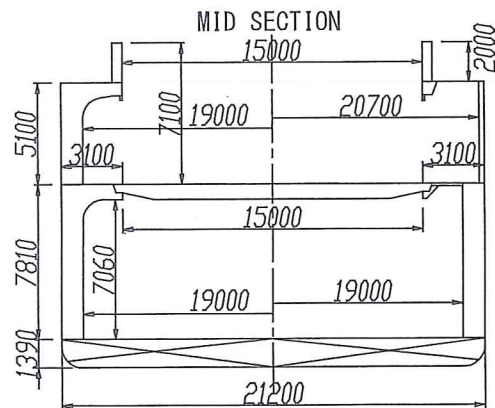
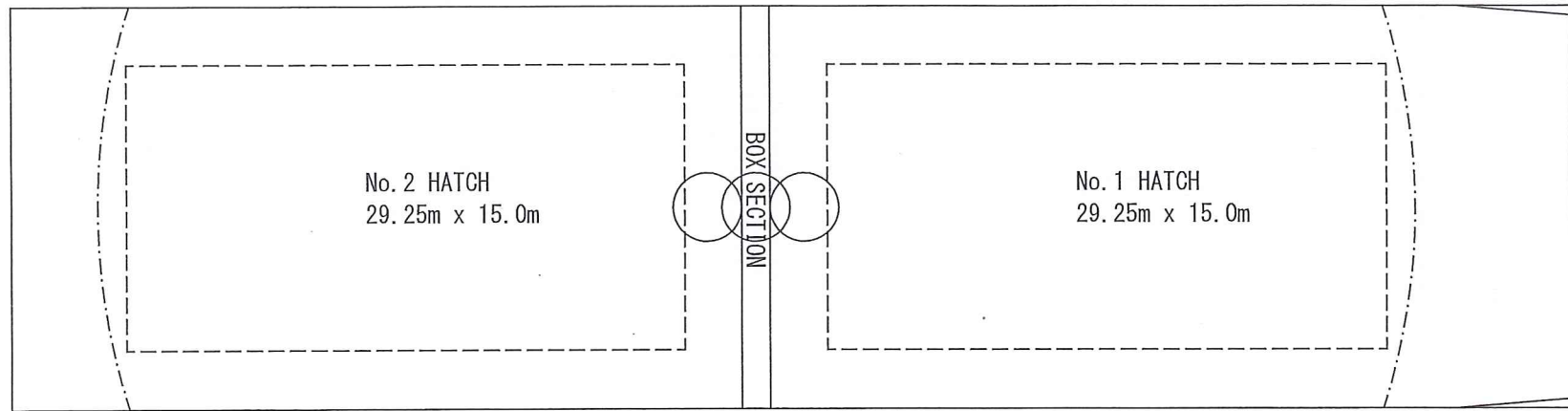
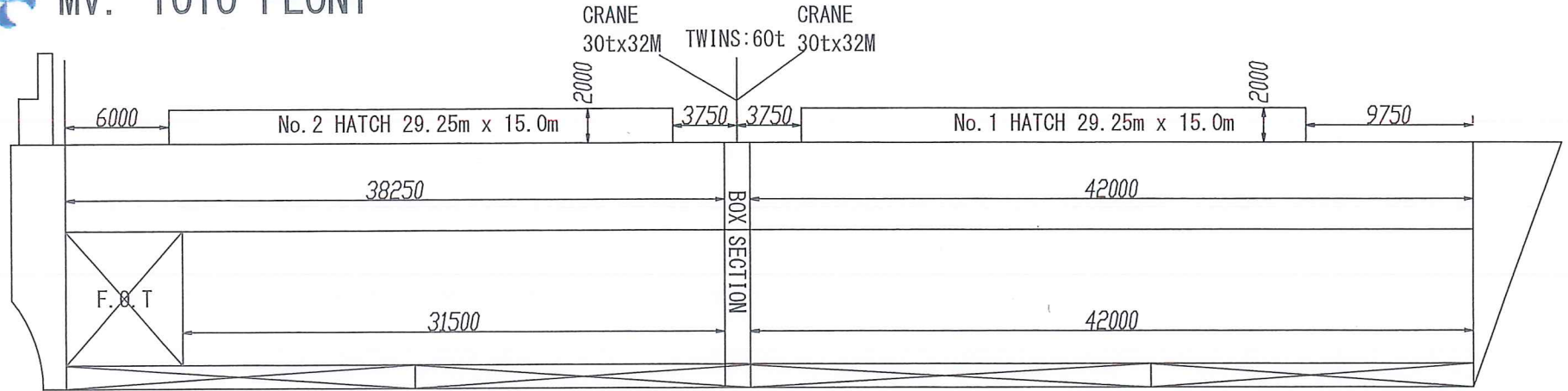




MV. TOYO PEONY



PRINCIPAL PARTICULAR	
LOA	120.00M
Lpp	111.50M
B(mid)	21.20M
D(mid)UPP	14.30M
D(mid)2ND	9.20M
S.DRAFT(EXT.)	8.994M
G/T	9,700T
N/T	4,065T
D/W	12,990.0T



MV. TOYO PEONY

SECOND DECK

